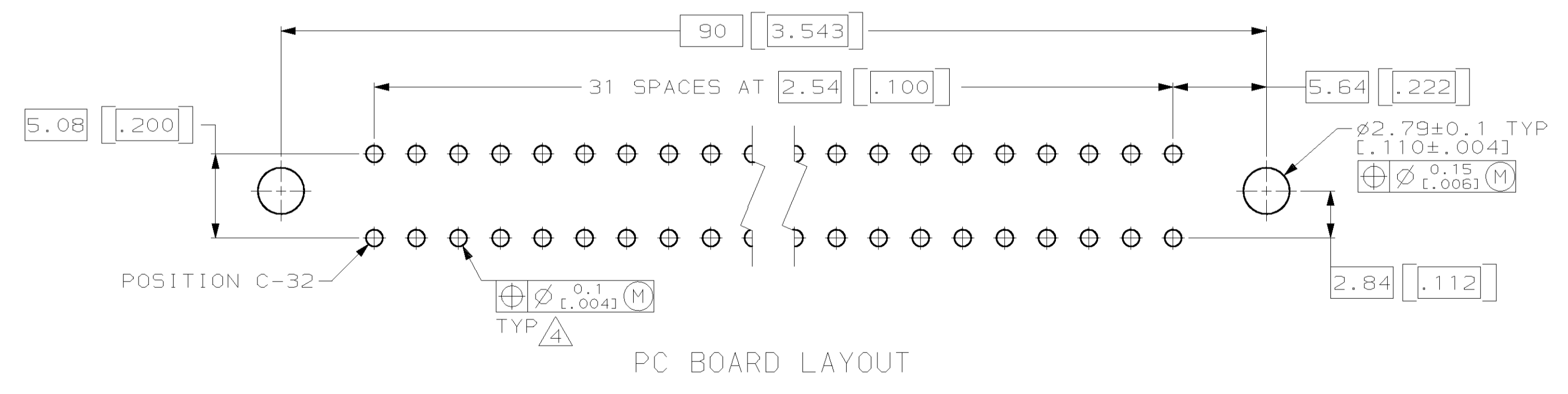
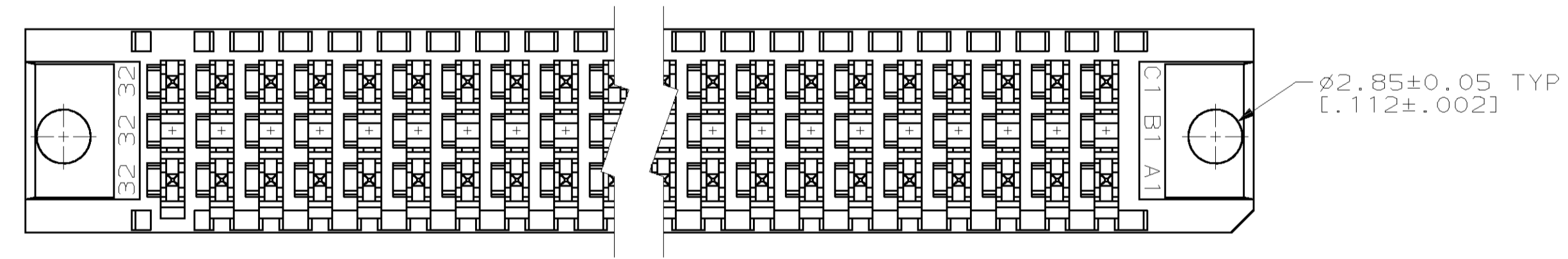
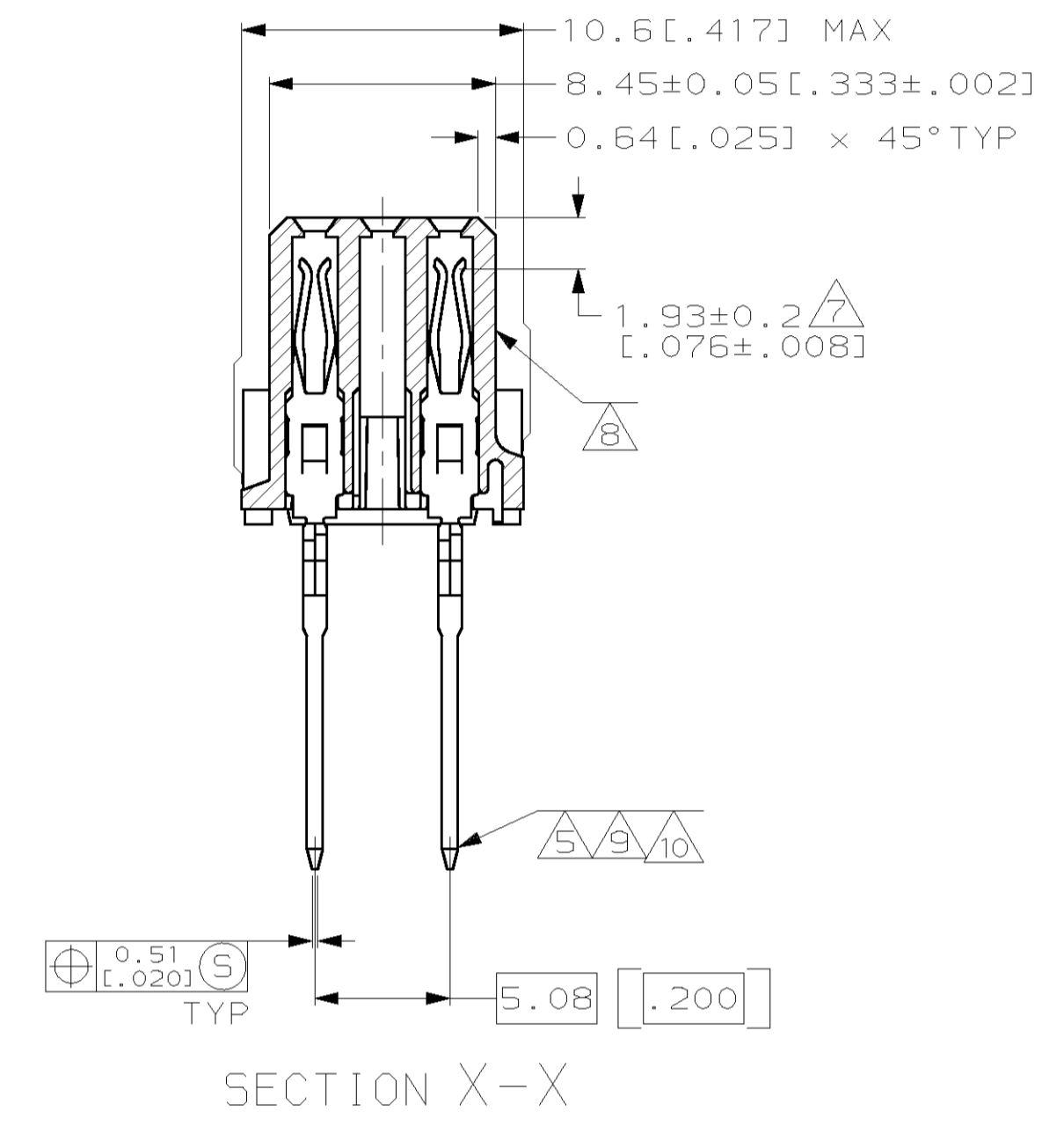
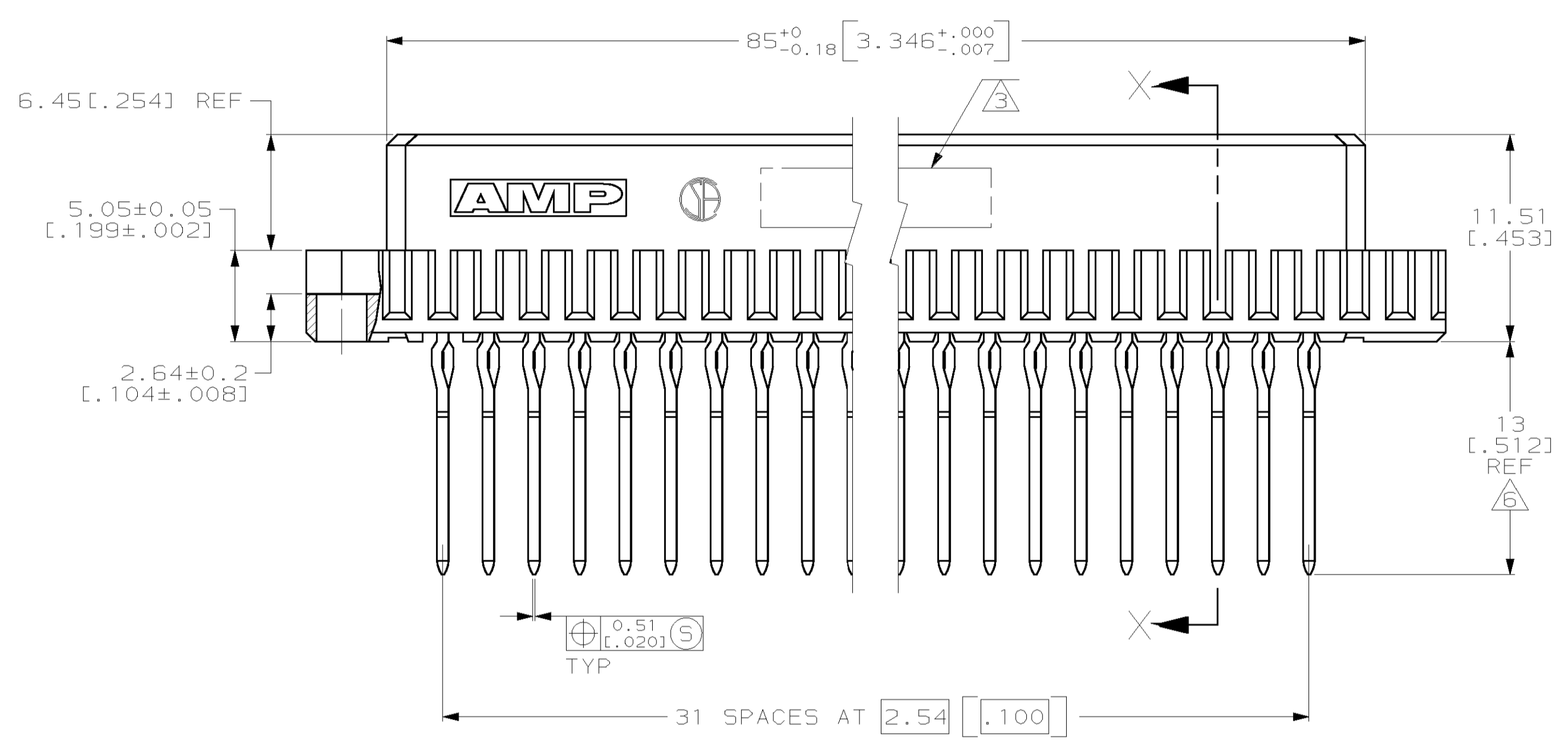
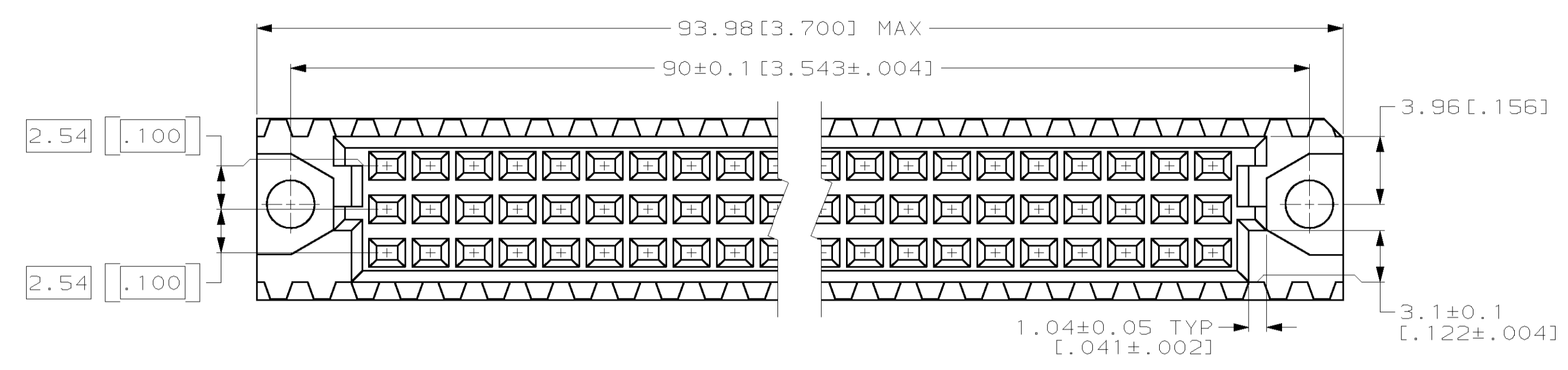


LOC	DIST	REVISIONS			
AD	25	REV	DATE	BY	APPV
		0			
		A	9/21/95	LSB	CR
		B	10/10/95	LSB	CR
		C	5/9/96	LSB	RAP
		D	6-4-98	TS	CR
		E	06 OCT 99	BC	CR



- ① HOUSING MATERIAL: GLASS-FILLED POLYESTER. COLOR: GRAY.
- ② CONTACT MATERIAL: PHOSPHOR BRONZE.
- ③ PART NUMBER AND DATE CODE HOT STAMPED IN THIS APPROXIMATE AREA.
- ④ ACTION PIN POSTS REQUIRE 1.57 [.062] MINIMUM THICK PC BOARD, RECOMMENDED PC BOARD DRILLED HOLES ARE 1.15±0.025 [.0453±.0010] DIAMETER WITH 0.02-0.08 [.001-.003] COPPER AND 0.008 [.0003] MINIMUM TIN-LEAD PLATING. FINISHED HOLE AFTER PLATING IS 1.02±0.08 [.040±.002] DIAMETER.
- ⑤ CONTACT FINISH: DIN 41612 CLASS 2 IN CONTACT AREA. TIN-LEAD PLATE ON POSTS.
- ⑥ TAIL LENGTH AFTER SEATING IN PC BOARD.
- ⑦ CONTACT POINT AFTER SEATED IN PC BOARD.
- ⑧ HOT STAMPING ON THIS SIDE.
- ⑨ CONTACT FINISH: DIN 41612 CLASS 2 IN CONTACT AREA AND LAST 5.08 [.200] OF POST.
- ⑩ CONTACT FINISH: 0.00076 [.000030] GOLD IN CONTACT AREA AND LAST 5.08 [.200] OF POST. 0.00127 [.000050] NICKEL UNDERPLATE ALL OVER.

REV	POSITIONS LOADED	ROWS LOADED	NO. OF LOADED POSITION	PART NUMBER
⑨	1-32	X - X	64	1-148167-5
⑩	1-32	X - X	64	1-148167-4
⑤	1-32	X - X	64	148167-5

DIMENSIONS: mm 0 PLC ± 1 PLC ± 2 PLC ±0.13 [.005] 3 PLC ± 4 PLC ± UNLESS OTHERWISE SPECIFIED		TOLERANCES UNLESS OTHERWISE SPECIFIED: 0 PLC ± 1 PLC ± 2 PLC ±0.13 [.005] 3 PLC ± 4 PLC ± UNLESS OTHERWISE SPECIFIED		DWN L. BRINER 6/20/95 CHK C. RICHARD 6/20/95 APPV C. RICHARD 6/20/95 PRODUCT SPEC APPLICATION SPEC WEIGHT CUSTOMER DRAWING		AMP Incorporated Harrisburg, PA 17105-3608 NAME RECEPTACLE ASSEMBLY, EUROCARD, TYPE C SIZE A1 CAGE CODE 00779 DRAWING NO. 148167 SCALE 4:1 SHEET 1 OF 1 REV E	
---	--	--	--	--	--	--	--